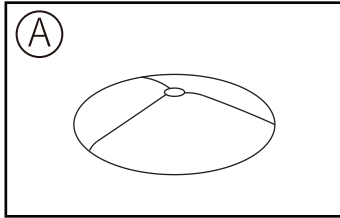


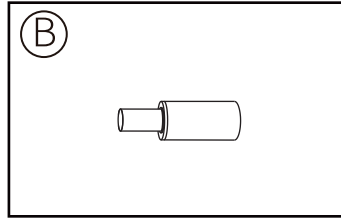
INSTRUCTION MANUAL

MODEL: ROGUE

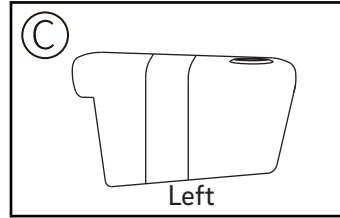
CONTENTS



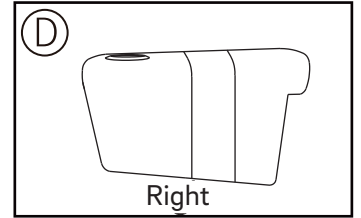
A
Base
Quantity:1



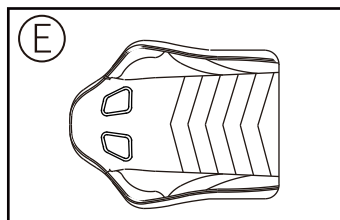
B
Gas Lift Cylinder
Quantity:1



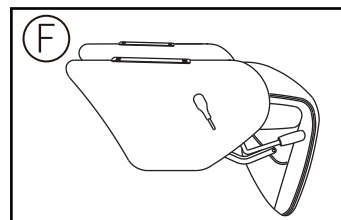
C
Armrest
Quantity:1



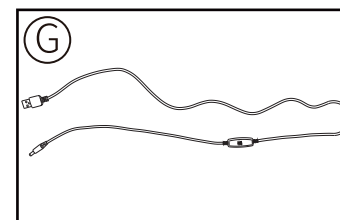
D
Armrest
Quantity:1



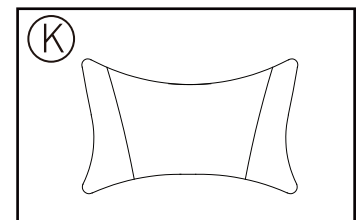
E
Back Cushion
Quantity:1



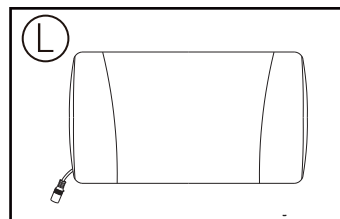
F
Seat Cushion
Quantity:1



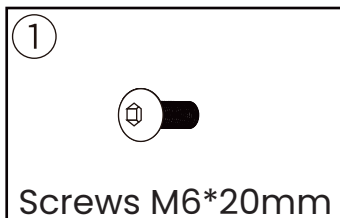
G
Cable
Quantity:1



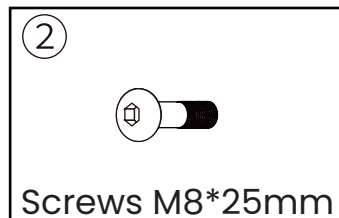
K
Neck Pillow
Quantity:1



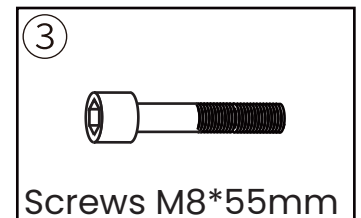
L
Lumbar Cushion
Quantity:1



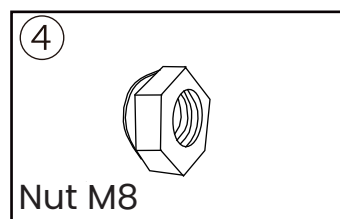
1
Screws M6*20mm
Quantity:4



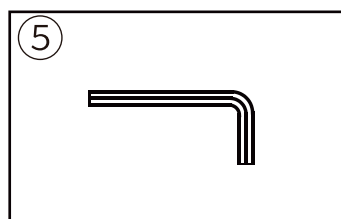
2
Screws M8*25mm
Quantity:2



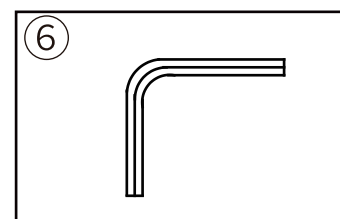
3
Screws M8*55mm
Quantity:2



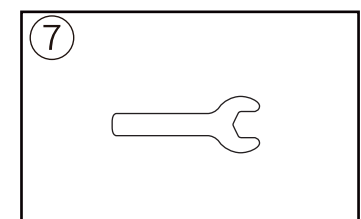
4
Nut M8
Quantity:2



5
Quantity:1



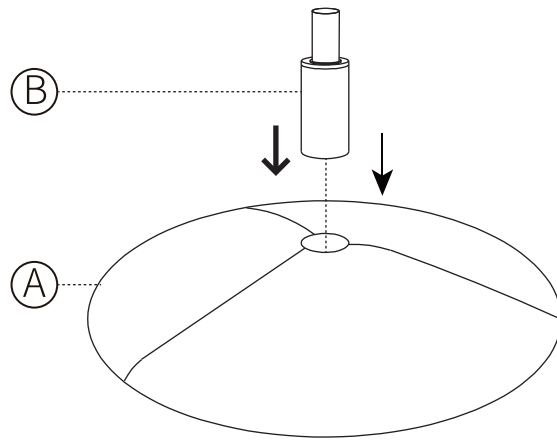
6
Quantity:1



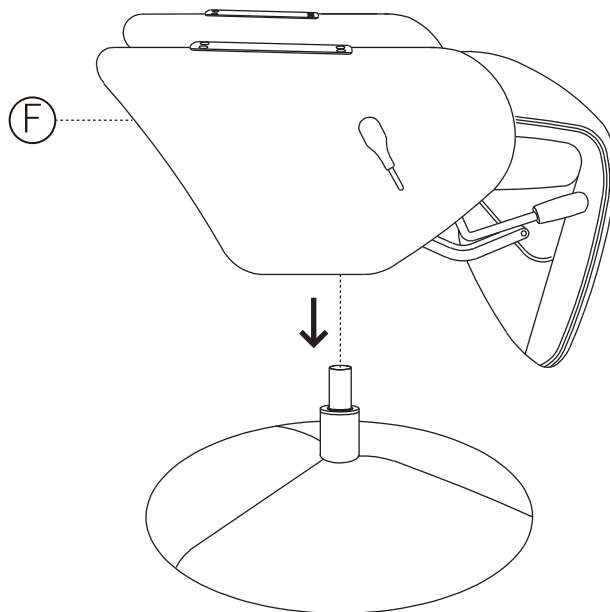
7
Quantity:1

ASSEMBLY INSTRUCTIONS

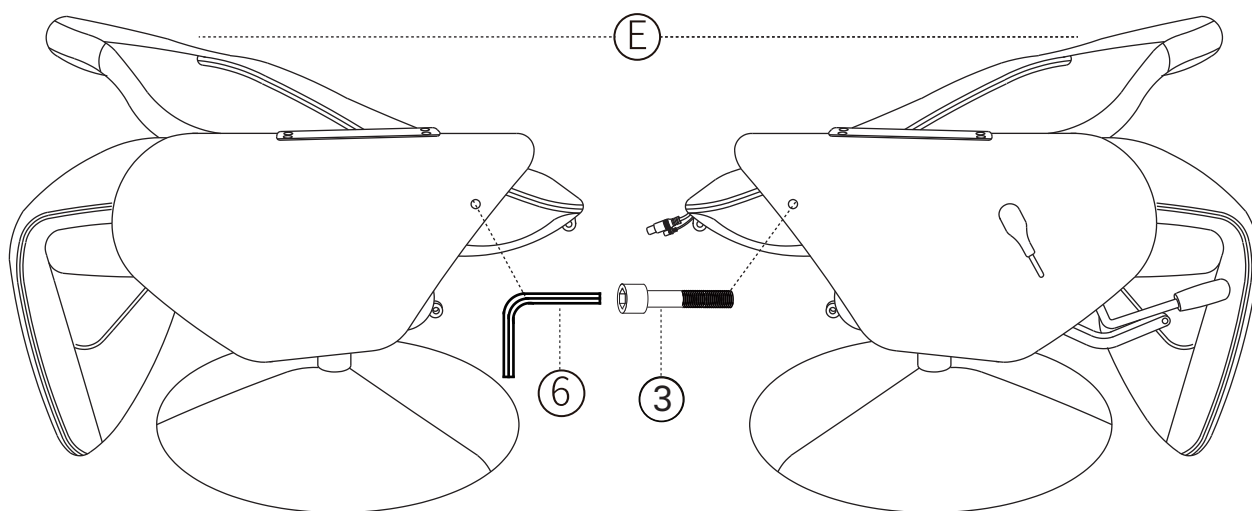
1



2

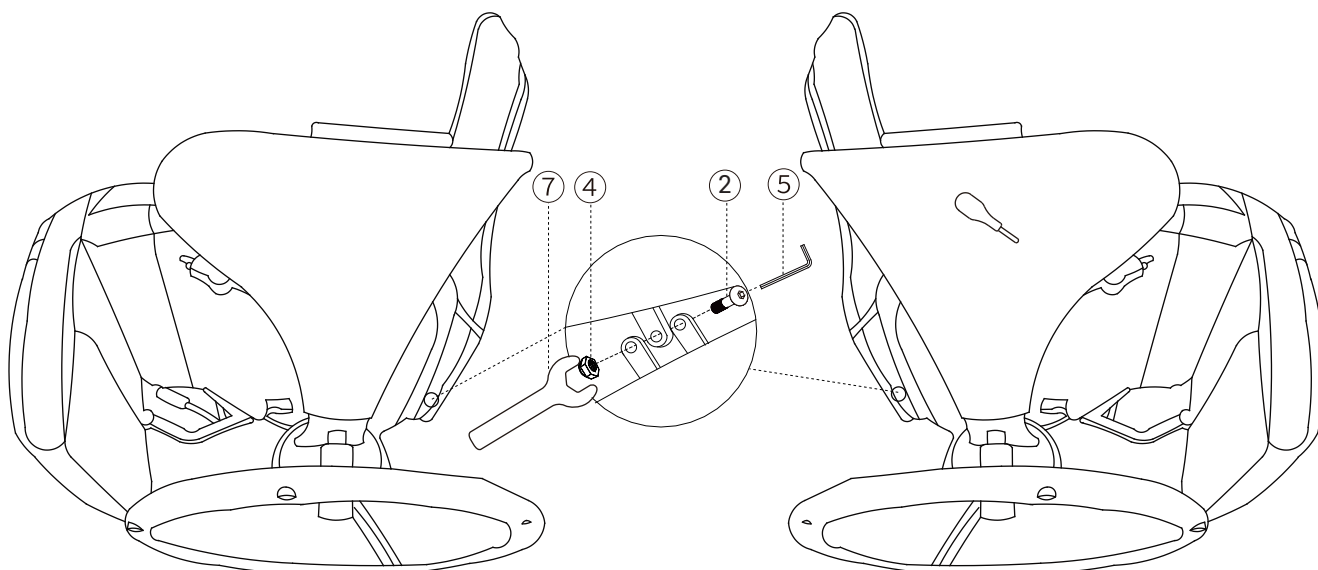


3 Insert screws (3) through sides and into back as pictured. Make sure NOT to tighten completely. Once both screws are inserted (2-3 revolutions), move to step 4. Once step 4 is complete come back to screws (3) and tighten completely

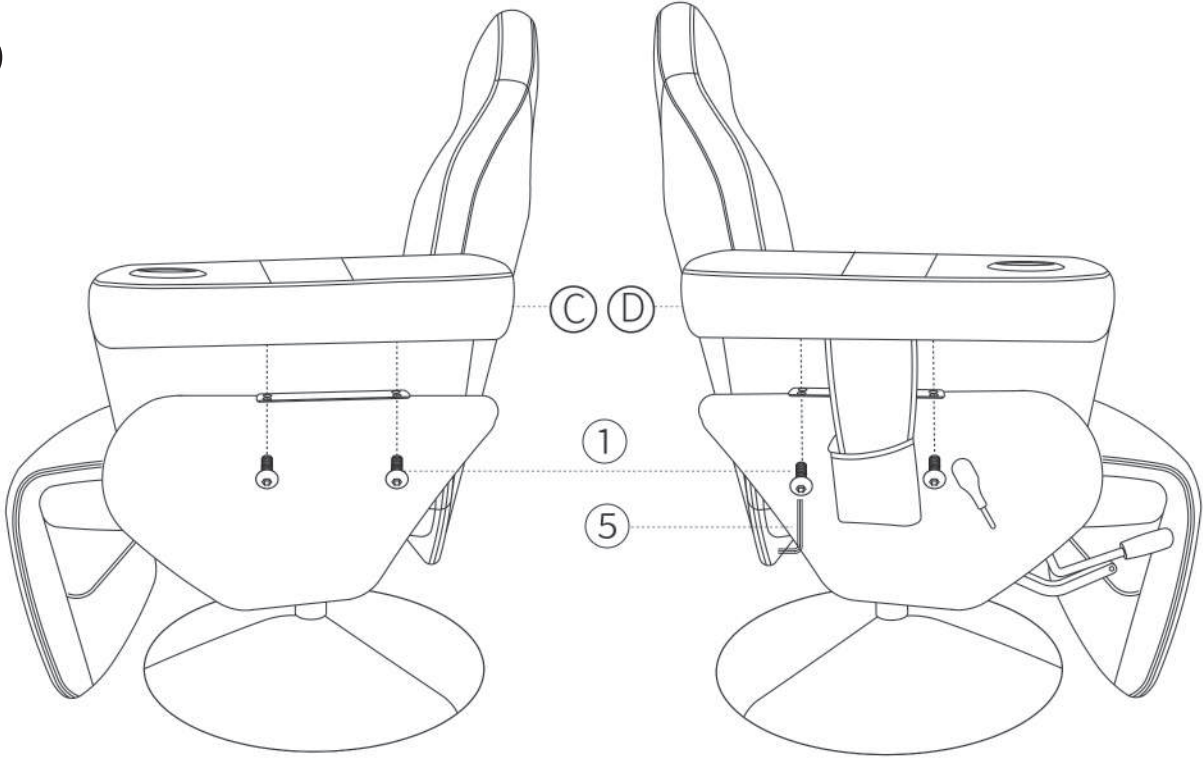


The screw hole can be seen when the zipper is unzipped*

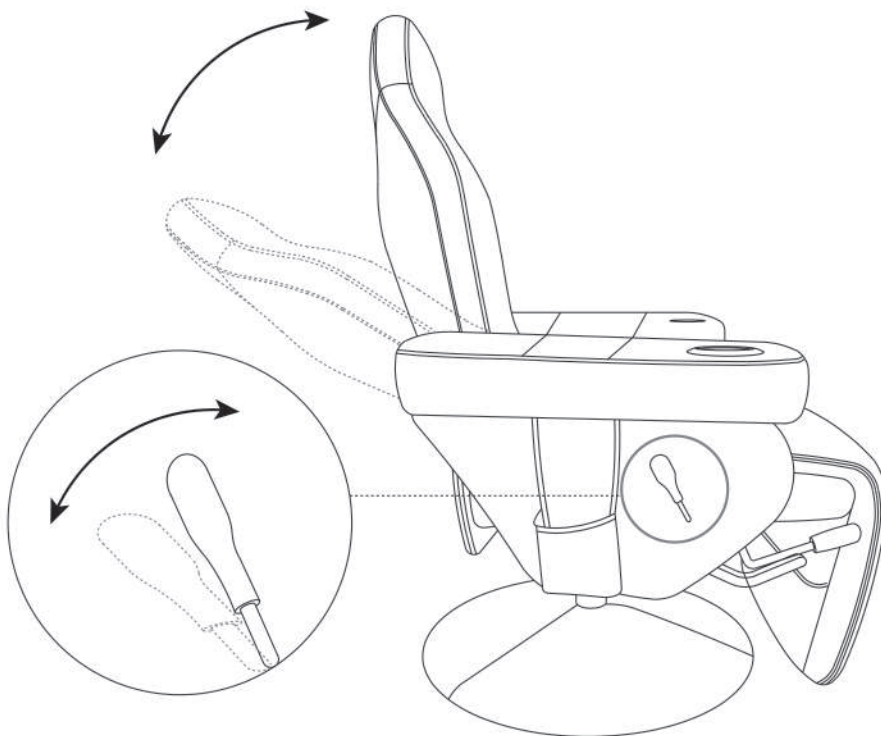
4 Use screws (2) and nuts (4) to attach back assembly on both sides of back as shown in picture. After tightening both, return to Step 3 and fully tighten screws (3)



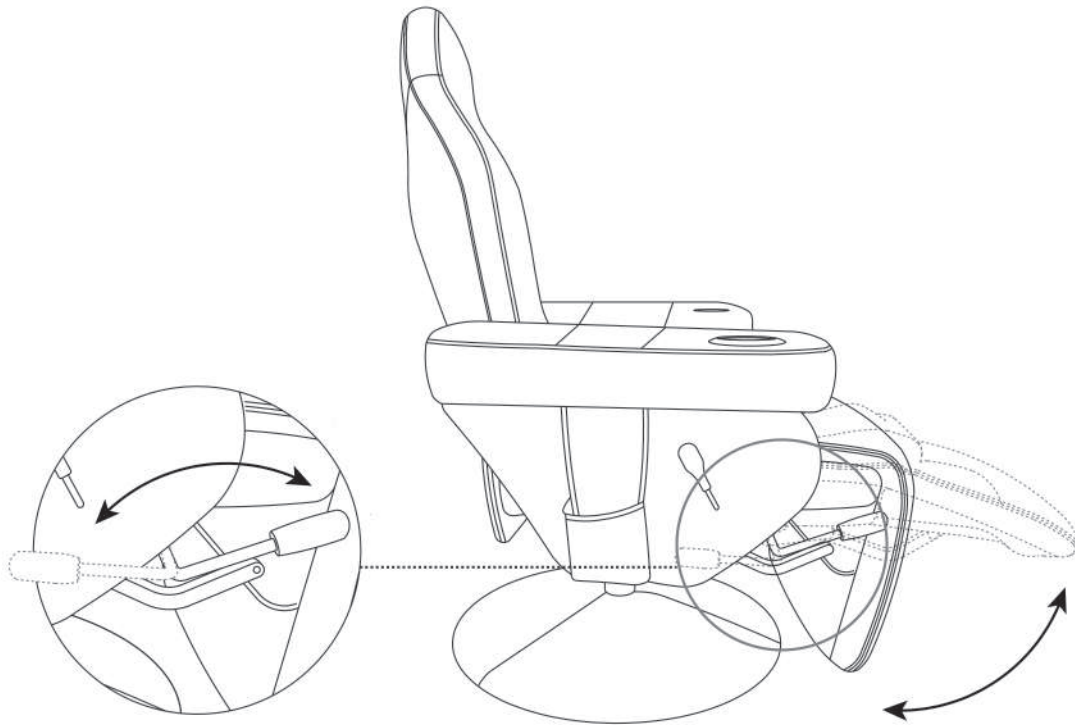
5



6



7



ATTENTION / ATTENTION / ATTENTION

Make sure all bolts and screws are fully tightened before using chair. Lubricate all moving parts and tighten all bolts/screws every 6 months or whenever needed.

S'assurer que tous les boulons et vis sont serres a fond avant d'utiliser la chaise. Lubrifier toutes les pieces mobiles et serrer tous les boulons/vis tous les 6 mois ou selon le besoin.

Asegures que todos los pernos y tornillos esten completamente apretados antes de usar la silla. Lubrique todas las piezas moviles y apriete todos los pernos/tornillos cada 6 meses o como sea necesario.

WARNING / AVERTISSEMENT / ADVERTENCIA

To ensure proper assembly, follow all steps and use all parts. Failure to follow this warning can result in serious injury to yourself or others.

Effecture toutes les operations et utiliser toutes les pieces pour etre sur que l'assemblage est correct. L'inobservation de cet avertissement peut entrainer des blessures graves pour soi ou pour les autres.

Para asegurar un armado correcto, siga todas los pasos indicados y utilice todas las pezas. Si no se observa esta advertencia, se pueden causar lesiones graves a su persona o a los demas.

WARRANTY AGREEMENT

- Warranty : 1 Year

- If the product has defects in material or manufacture, REBEL will provide product repair and replacement service within the warranty period.

- Our warranty service is based on the date of the invoice or warranty card.

DISCLAIMERS

- REBEL is not liable for any damage of life and limb or damage or loss of property caused by or during REBEL products' use.

- REBEL's warranty liability is limited to repair or replacement. The decision on whether to repair or replace belongs exclusively to REBEL.

